

OF1202-40BQ3

oil free compressor with dryer



Features

- 100% oil free
- 100% duty cycle
- compact and easy to use
- easy maintenance
- long-life, 2-year warranty
- 8000 hours cup life at 8bar
- 4000 hours maintenance interval for the dryer

Description

- built-in 2-column adsorption dryer
- pressure dew point down to -40°C
- 1µm air filtration (class 2 for dust according to ISO8573.1:2001)
- pressure regulator included
- receiver with internal coating
- and 5-year warranty

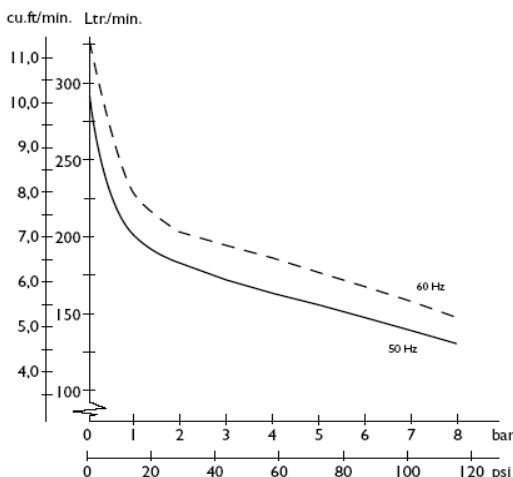
OTHER VERSIONS

- without dryer (OF1202-40B)
- with soundproofing cabinet (OF1202-40MQ3)

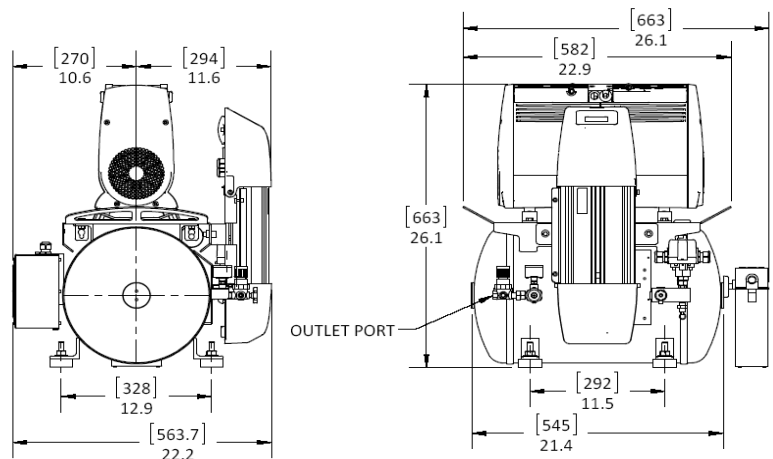
Product specifications

Model	OF1202-40BQ3		
Voltage	V	1x230	1x230
Frequency	Hz	50	60
Motor	HP	2	2
	kW	1.47	1.47
Displacement	l/min	290	328
Air flow @ 8bar	l/min	104	117
	cfm	3.7	4.1
Max. pressure	bar	8	8
	psi	120	120
Max. current	A	8	9
Receiver volume	litres	40	40
	gallon	10.6	10.6
Weight	kg	70	70
	lbs	154	154
Noise level	dB(A)/1m	76	79
Duty cycle		100%	100%

Air flow / pressure curve ¹⁾



Dimensions ²⁾



1) air flow is reduced by 18 to 20% on units with dryers

2) for unit without accessories or options