



OF1201-25MQ2 Oil Free Compressor with Dryer



Features

- 100% oil free
- 100% duty cycle
- Low noise and vibration level
- Easy maintenance
- Long-life, 2-year warranty
- 8000 hours cup life at 8bar
- 4000 hours maintenance interval for the dryer

Description

- Built-in 2-column adsorption dryer
- Pressure dew point down to -40°C
- 1µm air filtration (class 2 for dust according to ISO8573.1:2001)
- Pressure regulator included
- Receiver with internal coating and 5-year warranty

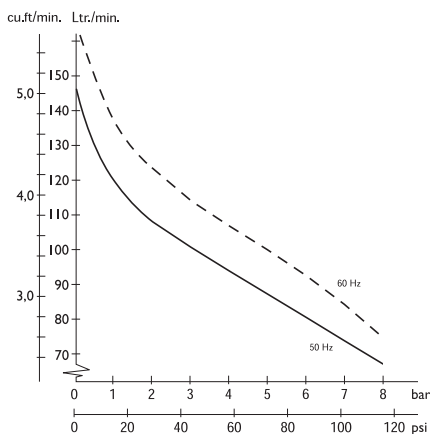
Other Versions

- Without dryer: OF1201-25M
- Other power supply: 100V, 120V, 60Hz...

Product Specifications

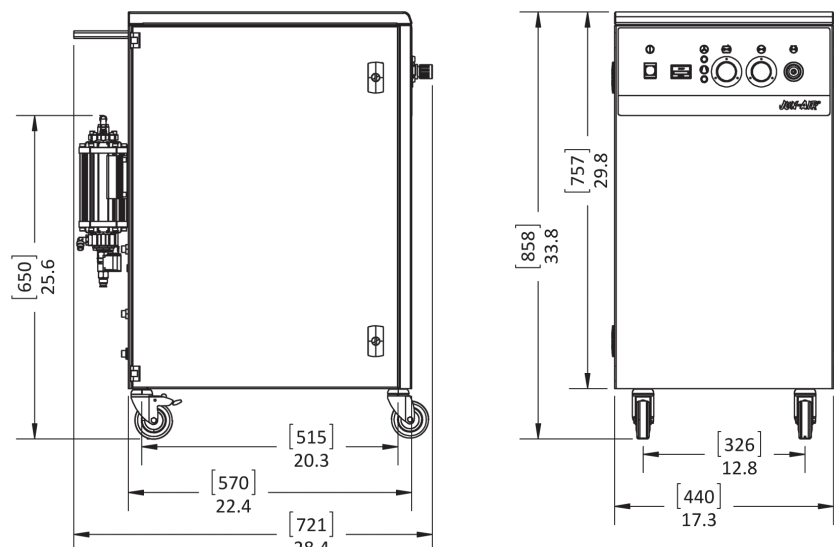
Model	OF1201-25MQ2		
Voltage	V	1x230	1x120
Frequency	Hz	50	60
Motor	HP	1.22	1.22
	kW	0.9	0.9
Displacement	l/min	146	170
Air flow @ 8bar	l/min	52	58
	cfm	1.84	2.05
Max. pressure	bar	8	8
	psi	120	120
Max. current	A	6.2	11
Receiver volume	litres	25	25
	gallon	6.6	6.6
Weight	kg	98	98
	lbs	216	216
Noise level	dB(A)/1m	58	61
Duty cycle		100%	100%

Air Flow / Pressure Curve*



*air flow is reduced by approx. 18-20% on units with dryer

Dimensions*



*for unit without accessories or options