

## 2xOF302-40BQ2

### oil free compressor with dryer



#### Features

- 100% oil free
- 100% duty cycle
- compact and easy to use
- easy maintenance
- long-life, 2-year warranty
- 8000 hours cup life at 8bar
- 4000 hours maintenance interval for the dryer

#### Description

- built-in 2-column adsorption dryer
- pressure dew point down to -40°C
- 1µm air filtration (class 2 for dust according to ISO8573.1:2001)
- pressure regulator included
- receiver with internal coating and 5-year warranty

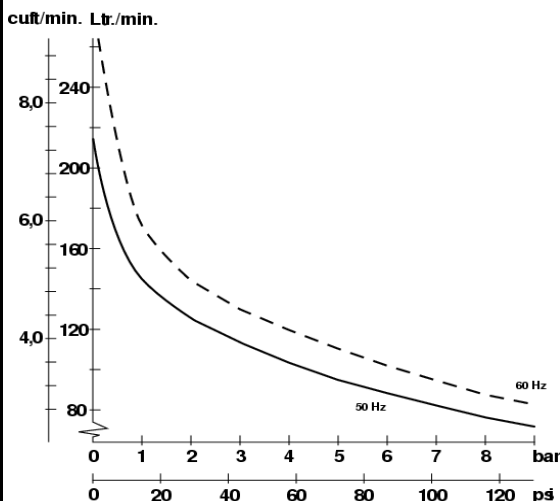
#### OTHER VERSIONS

- without dryer (2xOF302-40B)
- with soundproofing cabinet (2xOF302-40MQ2)

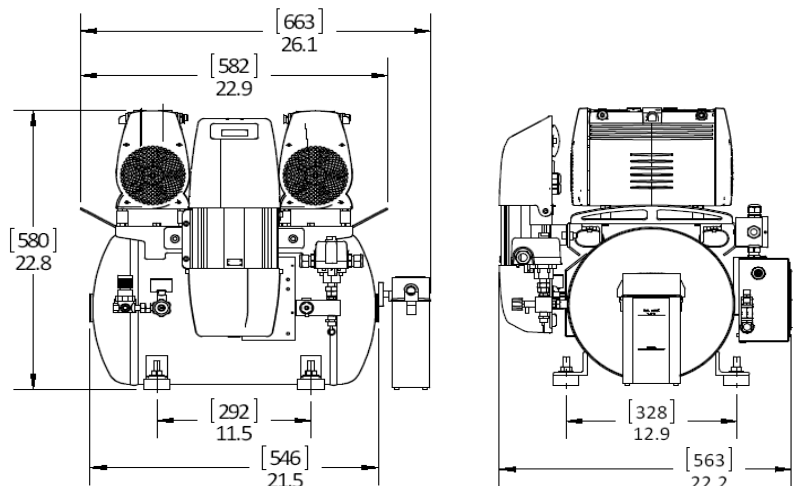
#### Product specifications

Model	2xOF302-40BQ2		
Voltage	V	1x230	1x120
Frequency	Hz	50	60
Motor	HP	1.2	1.2
	kW	0.9	0.9
Displacement	l/min	216	276
Air flow @ 8bar	l/min	60	70
	cfm	2.12	2.5
Max. pressure	bar	8	8
	psi	120	120
Max. current	A	6.8	13.2
Receiver volume	litres	40	40
	gallon	10.6	10.6
Weight	kg	59	59
	lbs	130	130
Noise level	dB(A)/1m	68	68
Duty cycle		100%	100%

#### Air flow / pressure curve <sup>1)</sup>



#### Dimensions - inches / [mm] <sup>2)</sup>



1) air flow is reduced by 18 to 20% on units with dryers

2) for unit without accessories or options

