

2xOF1202-90BQ6

oil free compressor with dryer



Features

- 100% oil free
- 100% duty cycle
- compact and easy to use
- easy maintenance
- long-life, 2-year warranty
- 8000 hours cup life at 8bar
- 4000 hours maintenance interval for the dryer

Description

- built-in 2-column adsorption dryer
- pressure dew point down to -40°C
- 1µm air filtration (class 2 for dust according to ISO8573.1:2001)
- pressure regulator included
- receiver with internal coating and 5-year warranty

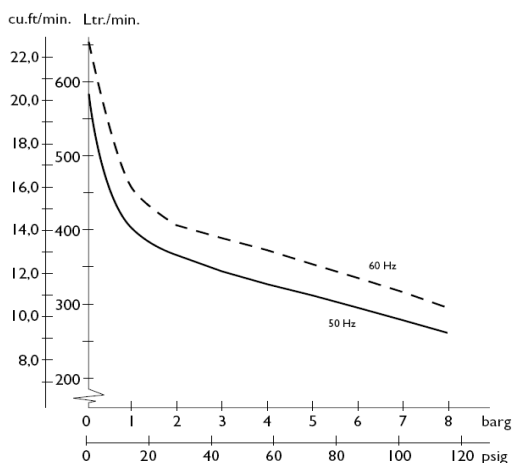
OTHER VERSIONS

- without dryer (2xOF1202-90B)
- with soundproofing cabinet (2xOF1202-40MQ6)

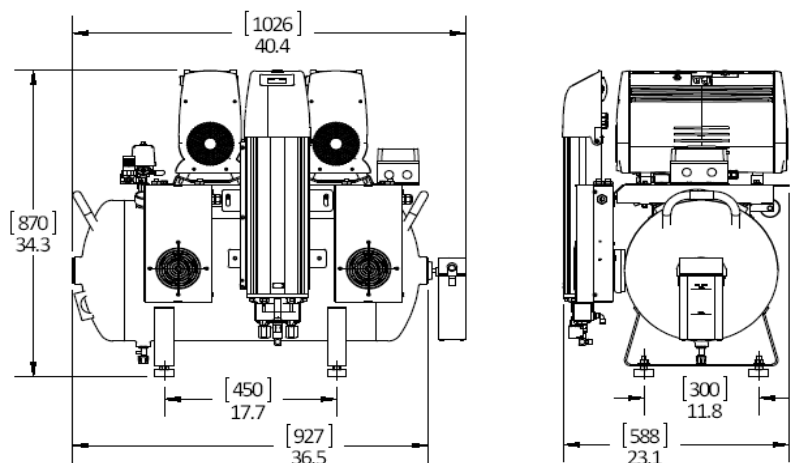
Product specifications

Model	2xOF1202-90BQ6		
Voltage	V	1x230	1x230
Frequency	Hz	50	60
Motor	HP	4	4
	kW	2.94	2.94
Displacement	l/min	580	658
Air flow @ 8bar	l/min	208	234
	cfm	7.35	8.3
Max. pressure	bar	8	8
	psi	120	120
Max. current	A	16	18
Receiver volume	litres	90	90
	gallon	23.7	23.7
Weight	kg	132	132
	lbs	291	291
Noise level	dB(A)/1m	79	78
Duty cycle		100%	100%

Air flow / pressure curve ¹⁾



Dimensions - inches / [mm] ²⁾



1) air flow is reduced by 18 to 20% on units with dryers

2) for unit without accessories or options