

Large capacity air pump HP-100 / 120 / 150 / 200

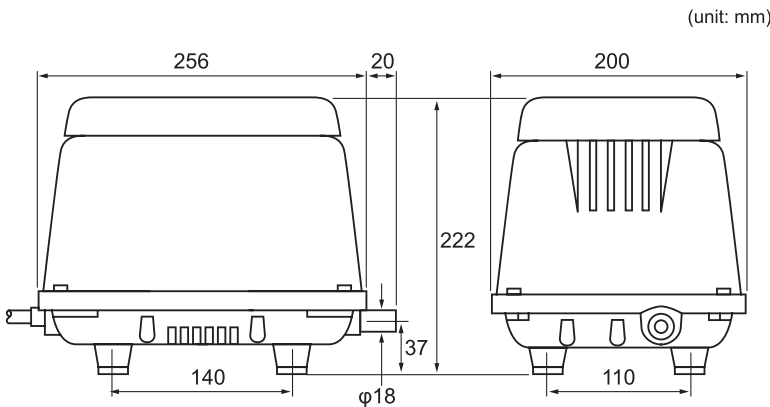


Pressure type
Outdoor (Rainproof) use

Applications

- Septic tank (biological contact aeration)
- Air injection for bubble bath
- Small capacity compressor
- Oxygen supply for fish breeding

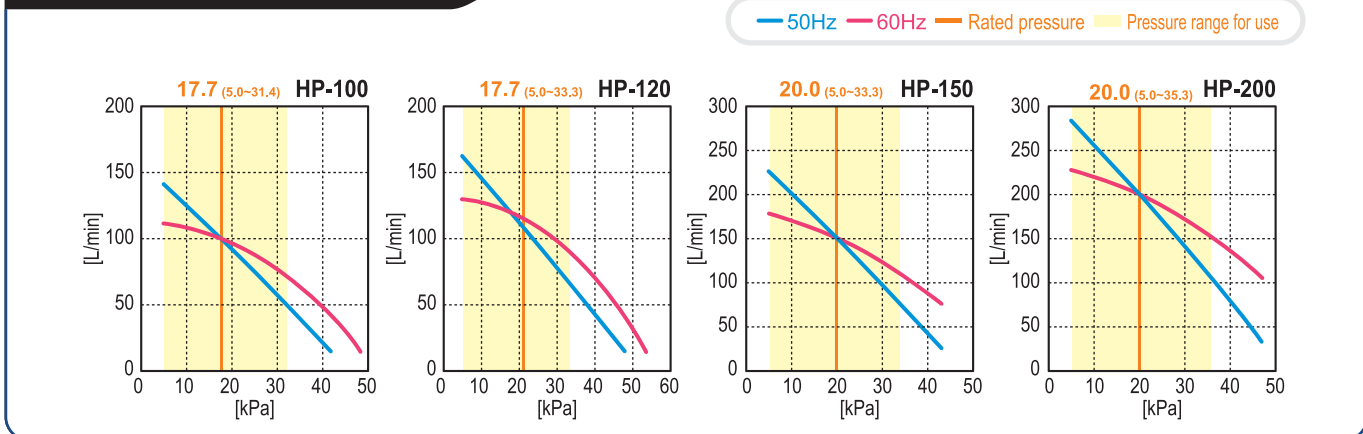
Dimensions



Specifications

		HP-100	HP-120	HP-150	HP-200
Rated voltage	V	AC100 / 120 / 230			
Power frequency	Hz	50 60	50 60	50 60	50 60
Rated pressure	kPa	17.7		20	
Airflow volume	L/min	100	120	150	200
Power consumption	W	95 100	115 125	125 155	210 250
Sound level	dBA	38	40	45 47	46 48
Weight	kg	8.5		9	

Performance Curve



* All characteristics values are only for reference, and are not guaranteed values.
* Note that the operating temperature for our pumps is 41°F(5°C) to 104°F(40°C).