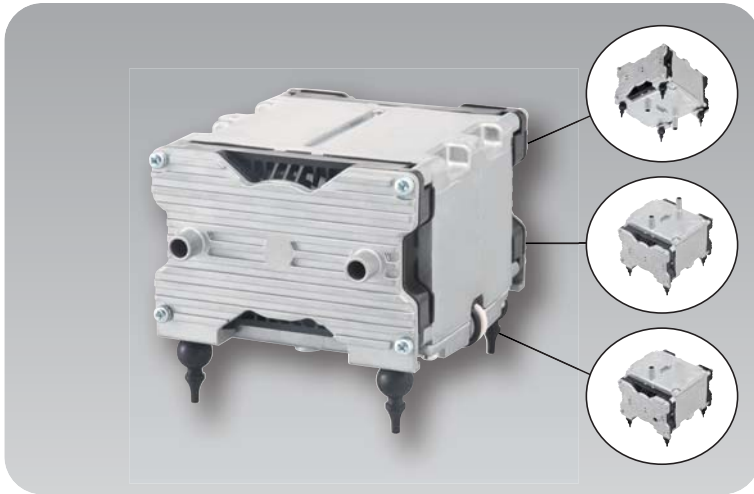


Small capacity air pump

# VP-4020(S) / 5030(S) / 6035(S)

**NEW**



VP-4020,5030,6035 : Pressure

VP-4020S,5030S,6035S : Pressure & vacuum

Flexible body structure

Built-in use

\*No power plug included because it is designed for built-in use.

\*Rubber-made legs are sharp-pointed. Not for self-standing installation.

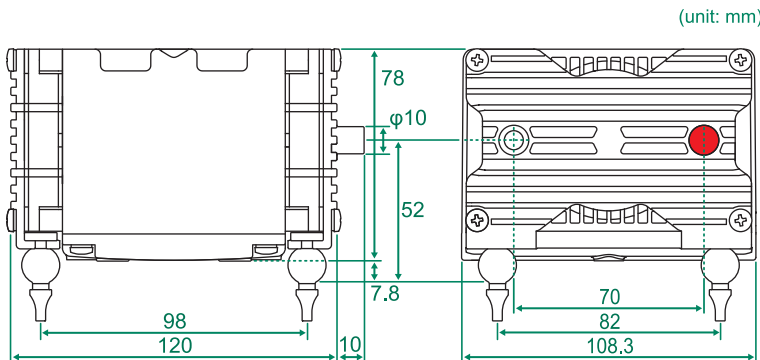
## Applications

- Air mat, Air bed (continuous air exhaust)
- Air bearing
- Air massager
- Scientific & chemical instruments (analysis and agitation)

\*The image shows pressure & vacuum type. Pressure type has one nozzle only. (Vacuum port is provided on the bottom or top of the pump.)

\*Customization of nozzle position is available. Images to the right are examples.

## Dimensions



\*The figure represents the standard configuration. Customization of nozzle position is available.

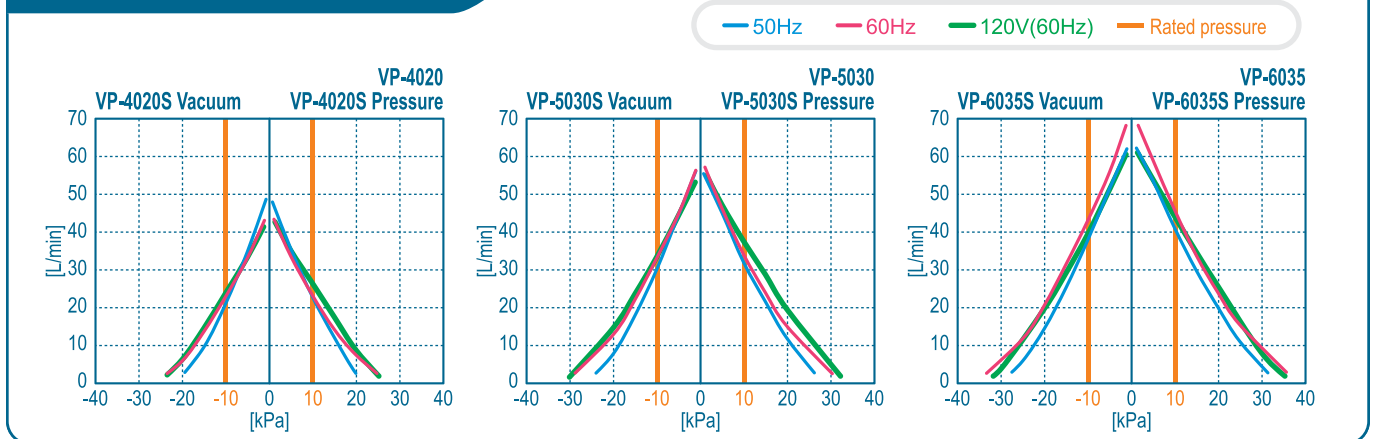
\*The vacuum nozzle at the ● marked position shown in the figure is attached only on pressure & vacuum model. (The nozzle position depends on the customized configuration.)

## Specifications

		VP-4020(S)			VP-5030(S)			VP-6035(S)		
Rated voltage	V	AC100 / 120 / 230								
Power frequency	Hz	50	60	120V 60	50	60	120V 60	50	60	120V 60
Rated pressure	kPa	10 (-10)								
Airflow volume	L/min	22.5 (-20.5)	23.5 (-23)	32 (-30)	34 (-33.5)	34 (-33)	41 (-38)	46 (-43)	44 (-42)	
Power consumption	Rated	12	13.5	19.5	22	22	28.5	32.5	32	
	Max	16	17	18	23	26	27	30	36	35
Sound level	dBA	31.5	34.5	35	39	38	36.5	40.5	40	
Weight	kg	1.95								

\*The value in parentheses represents VP vacuum.

## Performance Curve



\* All characteristics values are only for reference, and are not guaranteed values.

\* Note that the operating temperature for our pumps is 41°F(5°C) to 104°F(40°C).